

# IKA 200

Gauge reference pressure of low consumption that provides the best performance on measurements, controlled by microprocessor that combines precision and functionality in a robust and easy to use system. It is ideal for calibrating pressure gauges, transducers and pressure transmitters. Reference pressure gauge IKA 200 can be supplied with three precision scales 0.05% / 0.1% / 0.2% (specify when ordering). Range of pressure from - 1... 700 bar.



## APPLICATIONS

In-situ calibration  
Aeronautic industry  
Chemical and oil  
Maintenance service

## HIGHLIGHTS

Up to 0.05% FS accuracy  
Low power consumption  
9 units of engineering  
5 digits on screen

### Características técnicas

Accuracy	$\pm 0.05\%FS$ , $\pm 0.1\%FS$ , $\pm 0.2\%FS$
Pressure range	-1 ... 0 bar, 0 ... 700 bar (any rank within these two ranges)
Temperature compensation range	0 ... 50 °C
Units of pressure	kPa, Pa, psi, kgf/cm <sup>2</sup> , bar, mbar, mmH <sub>2</sub> O, mmHg, MPa
Display	5 dígitos with 14 mm characters height
Conectiónn	¼" NPT thread male (or custom)
Dimensions (mm)	94 x 40 x 135
Weight	0.5 kg aprox.



## General data

Low power consumption, the battery could work 1 year continuously

Calibration function of the full scale and zero function

Stainless steel lower link

Equipped with a tough, lightweight aluminum alloy cover

Large 5-digit backlit LCD indicator

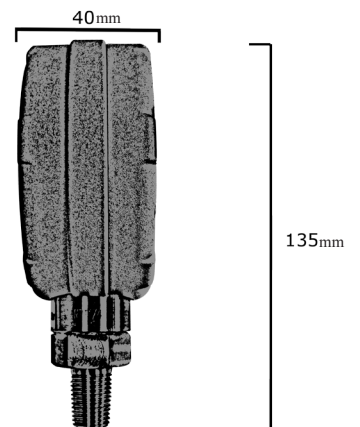
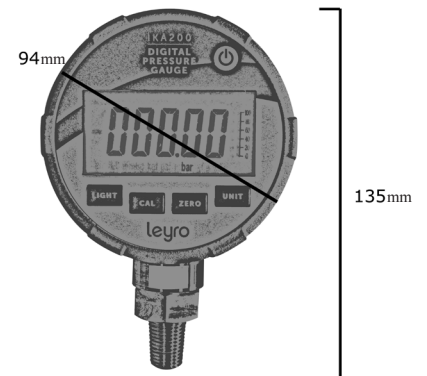
9 selectable pressure units

Temperature compensation

Overpressure alarm function

N°	Pressure range	Accuracy (% FS)	Resolution	Type of pressure	
1	-1 ... 0 bar	0.05	0.1	0.0001 bar	R
2	0 ... 50 mbar	0.05	0.1	0.001 mbar	D, R
3	0 ... 100 mbar	0.05	0.1	0.01 mbar	D, R
4	0 ... 160 mbar	0.05	0.1	0.01 mbar	R
5	0 ... 200 mbar	0.05	0.1	0.01 mbar	R
6	0 ... 250 mbar	0.05	0.1	0.01 mbar	R
7	0 ... 400 mbar	0.05	0.1	0.01 mbar	R
8	0 ... 600 mbar	0.05	0.1	0.01 mbar	R
9	0 ... 1 bar	0.05	0.1	0.0001 bar	R, A
10	0 ... 1.6 bar	0.05	0.1	0.0001 bar	R
11	0 ... 2.5 bar	0.05	0.1	0.0001 bar	R
12	0 ... 4 bar	0.05	0.1	0.0001 bar	R
13	0 ... 6 bar	0.05	0.1	0.0001 bar	R
14	0 ... 10 bar	0.05	0.1	0.001 bar	R
15	0 ... 16 bar	0.05	0.1	0.001 bar	R
16	0 ... 25 bar	0.05	0.1	0.001 bar	R
17	0 ... 40 bar	0.05	0.1	0.001 bar	R
18	0 ... 60 bar	0.05	0.1	0.001 bar	R
19	0 ... 100 bar	0.05	0.1	0.01 bar	R
20	0 ... 160 bar	0.05	0.1	0.01 bar	R
21	0 ... 200 bar	0.05	0.1	0.01 bar	R
22	0 ... 250 bar	0.05	0.1	0.01 bar	R
23	0 ... 300 bar	0.05	0.1	0.01 bar	R
24	0 ... 400 bar	0.05	0.1	0.01 bar	R
25	0 ... 600 bar	0.05	0.1	0.01 bar	R
26	0 ... 700 bar	0.05	0.1	0.01 bar	R

R = Relativo; D = Diferencial; A = Absoluto



## SELECTION OF COMBINED PRESSURE SHEET:

N°	Pressure range	Accuracy (% FS)	Resolution	Type of pressure	
1	-50 ... 50 mbar	0.05	0.1	0.001 mbar	D, R
2	-100 ... 100 mbar	0.05	0.1	0.01 mbar	D, R
3	-200 ... 200 mbar	0.05	0.1	0.01 mbar	R
4	-400 ... 400 mbar	0.05	0.1	0.01 mbar	R
5	-600 ... 600 mbar	0.05	0.1	0.01 mbar	R
6	-1 ... 1 bar	0.05	0.1	0.0001 bar	R
7	-1 ... 16 bar	0.05	0.1	0.001 bar	R
8	-1 ... 25 bar	0.05	0.1	0.001 bar	R